

BB RETRACTOR SYSTEM

BB-RETRAKTOR SYSTEM

[ENGLISH]

AMOIS INTERNATIONAL has been manufacturing Surgical & Dental Products and exporting them to the conscious healthcare industry all over the world. The Company prides in its images of a complete hospital supplies corporation, offering products, process and dealing with international clients which repeatedly stand recognized by International business standards and certificates.

The commitment to excellence has allowed us to establish our customer bases in strategic and vital surgical hubs of the world, like Germany, France, USA and Japan. AMOIS INTERNATIONAL exports directly to several customers in numerous geographic including the Americas, Europe, Africa & Asia. Our customers are extremely happy with our product quality and service and express their confidence and gratitude at continuous intervals.

AMOIS INTERNATIONAL is known synonymous with high quality, efficient service and close correspondence with its customers. its success depends upon those who work for it and equally on those who work with it. The company is growing in an evolving industry and AMOIS INTERNATIONAL has promised itself to stay up to date with changes.

[DEUTSCH]

AMOIS INTERNATIONAL produziert chirurgische und zahnmedizinische Produkte und exportiert diese weltweit an die Gesundheitsbranche. Das Unternehmen versteht sich als Komplettanbieter für Krankenhausbedarf und bietet Produkte, Prozesse und Dienstleistungen für internationale Kunden, die regelmäßig durch internationale Geschäftsstandards und Zertifizierungen anerkannt werden.

Unser Streben nach Exzellenz hat es uns ermöglicht, Kunden in strategisch wichtigen chirurgischen Zentren wie Deutschland, Frankreich, den USA und Japan zu gewinnen. AMOIS INTERNATIONAL exportiert direkt an zahlreiche Kunden in verschiedenen Regionen, darunter Amerika, Europa, Afrika und Asien. Unsere Kunden sind mit der Qualität unserer Produkte und unserem Service äußerst zufrieden und bringen ihr Vertrauen und ihre Dankbarkeit immer wieder zum Ausdruck.

AMOIS INTERNATIONAL steht für hohe Qualität, effizienten Service und enge Kundenbeziehungen. Unser Erfolg basiert auf unseren Mitarbeitern und Partnern. Wir wachsen in einer sich ständig weiterentwickelnden Branche und AMOIS INTERNATIONAL hat sich verpflichtet, mit den Veränderungen Schritt zu halten.

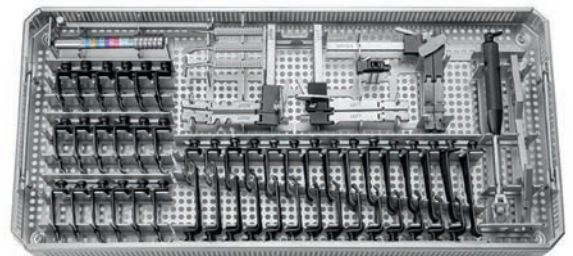
BB Retractor Set BB-Reaktor-Set	3
BB Microdiscectomy Set BB-Mikroset	4
BB Retractors BB-Reaktoren	5
BB Blades BB-Valven	6
BB Instruments BB-Instrumente	7

BB RETRACTOR SYSTEM

BB-RETRAKTOR SYSTEM

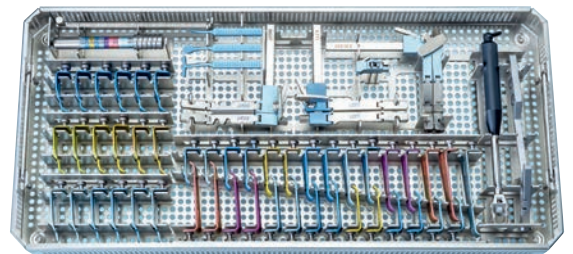
BB-Retractor system in stainless steel or titanium

- A standard system for cervical spine surgery
- To be used for anterior and posterior cervical surgery
- Available in stainless steel with black coated stainless steel blades (TiAlN) and in X-Ray compatible titanium with colour-coded Ti-blades
- With specially designed handle with Luer-Lock adaption



BB-Reaktor System in Edelstahl oder Titan

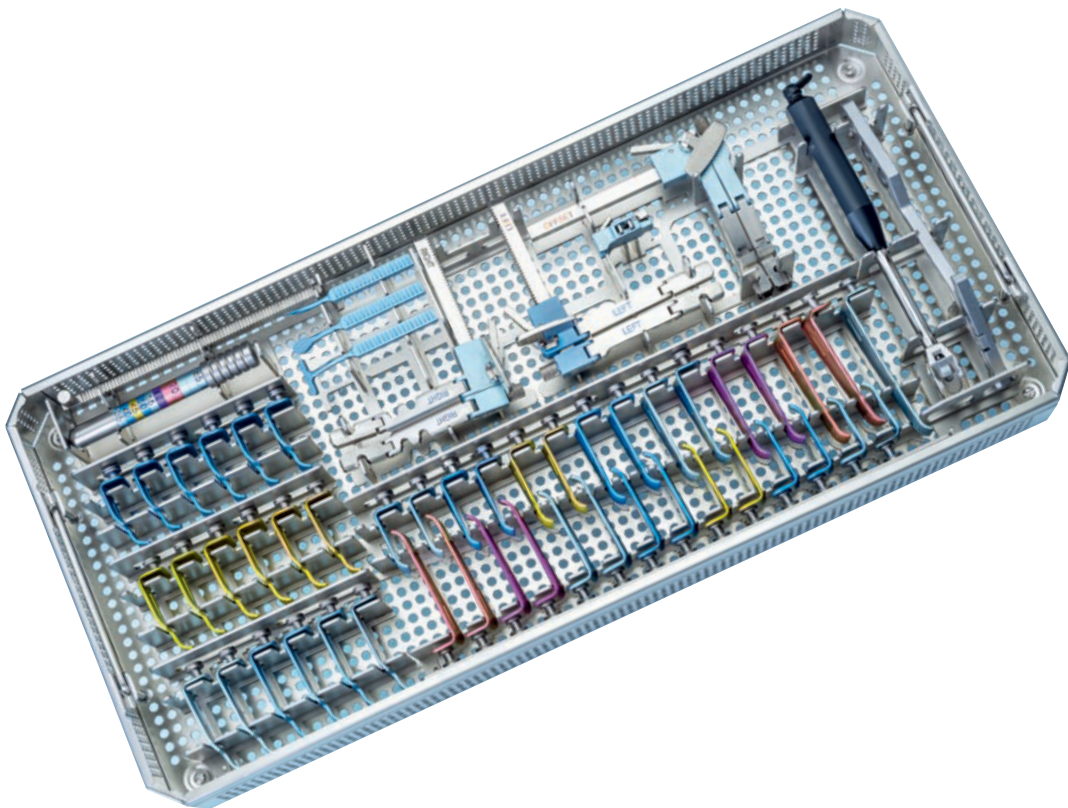
- Ein Standard für die zervikale Wirbelsäulen Chirurgie
- Einsetzbar für anteriore und posteriore Zervikalchirurgie
- Erhältlich in Edelstahl mit schwarz beschichteten Edelstahlvalven (Ti AlN) und als röntgenkompatibles Titansystem mit farbig codierten Ti-Valven
- Mit speziell entwickeltem Handgriff mit Luer-Lock

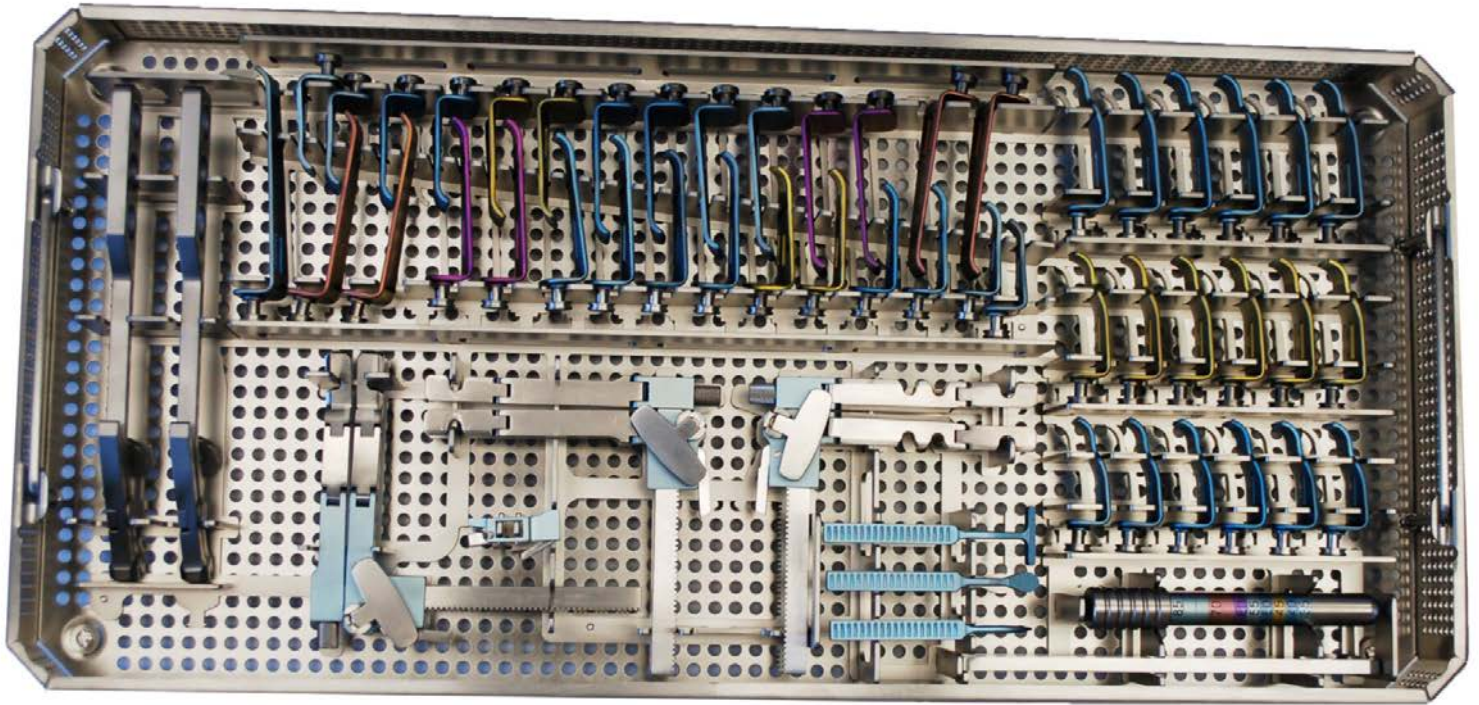


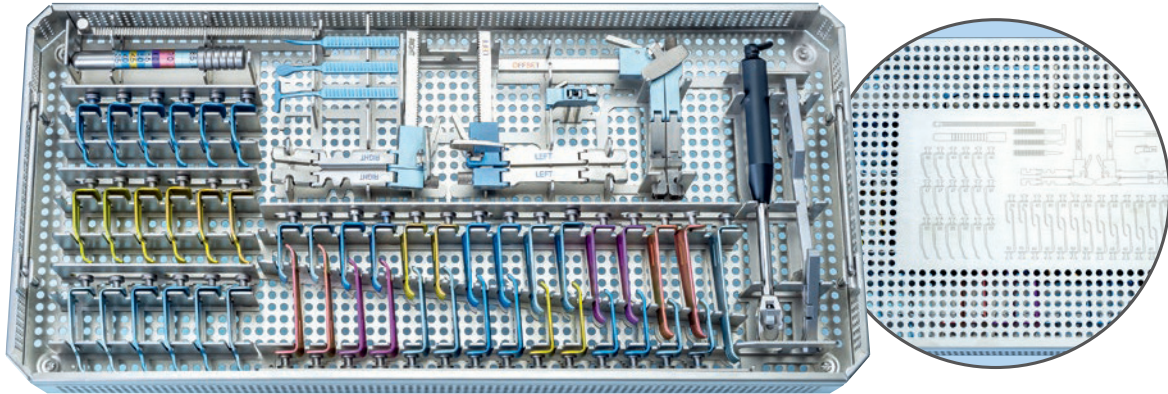
01 |

BB RETRACTOR SYSTEM

BB-RETRAKTOR SYSTEM







- Optimal exposure
- Products available in titanium and stainless steel
- Blades Ti ALN coated with black finish
- Made in Pakistan

- Optimale Exponierung
- Produkte erhältlich in Titan und Edelstahl
- Edelstahlvalven schwarz beschichtet (Ti ALN)
- Made in Pakistan

118-886-98	Tray with inserts and lid Siebkorb mit Inlays und Deckel	Length Länge	Width Breite	Depth Tiefe
		540 mm	253 mm	50 mm

118-885-00	BB set complete (stainless steel version) with tray 118-886-98 consisting of BB-Set komplett (Edelstahlversion) mit Siebkorb 118-886-98 bestehend aus
------------	---

118-885-01	BB set complete (titanium version) with tray 118-886-98 consisting of BB-Set komplett (Titanversion) mit Siebkorb 118-886-98 bestehend aus
------------	--

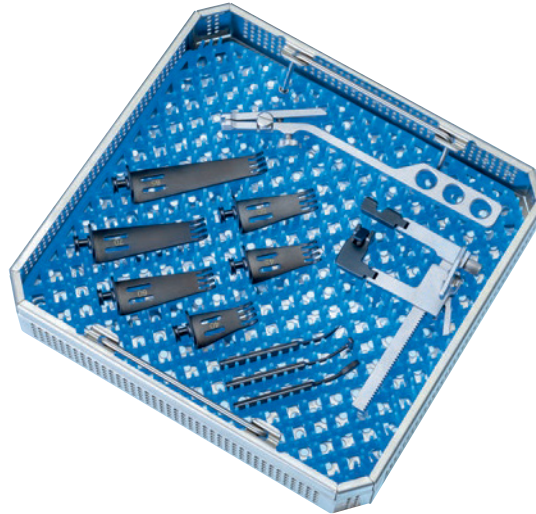
Set content Set-Inhalt	Quantity Menge
118-885-02	1
118-885-04	1
118-885-06	1
118-886-06	1
118-886-08	1
118-885-80	4
118-885-81	4
118-885-82	4
118-885-90	2
118-885-91	2
118-885-92	2
118-885-20	2
118-885-21	2
118-885-22	2
118-885-23	2
118-885-24	2

Set content Set-Inhalt	Quantity Menge
118-885-25	2
118-885-26	2
118-885-27	1
118-885-50	2
118-885-51	2
118-885-52	2
118-885-53	2
118-885-54	2
118-885-55	2
118-885-56	2
118-886-18	1
118-886-11	1
118-886-13	1
118-886-15	1
118-886-00	1
118-886-98	1

Set content Set-Inhalt	Quantity Menge
118-885-03	1
118-885-05	1
118-885-07	1
118-886-10	1
118-885-83	4
118-885-84	4
118-885-85	4
118-885-93	2
118-885-94	2
118-885-95	2
118-885-30	2
118-885-31	2
118-885-32	2
118-885-33	2
118-885-34	2
118-885-35	2

Set content Set-Inhalt	Quantity Menge
118-885-36	2
118-885-37	1
118-885-60	2
118-885-61	2
118-885-62	2
118-885-63	2
118-885-64	2
118-885-65	2
118-885-66	2
118-886-19	1
118-886-12	1
118-886-14	1
118-886-16	1
118-886-01	1
118-886-98	1

BB RETRACTOR SYSTEM



118-886-99	Tray with silicone mat and lid Siebkorb mit Silikonmatte und Deckel	Length Länge	Width Breite	Depth Tiefe
		243 mm	253 mm	50 mm

118-886-90	BB microdiscectomy set complete (stainless steel) with wire tray 118-886-99 consisting of BB-Mikroset komplett (Edelstahl) mit Siebkorb 118-886-99 bestehend aus
-------------------	---

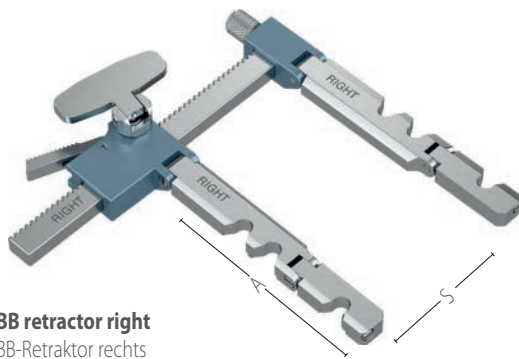
118-886-91	BB microdiscectomy set complete (titanium) with wire tray 118-886-99 consisting of BB-Mikroset komplett (Titan) mit Siebkorb 118-886-99 bestehend aus
-------------------	--

Set content Set-Inhalt	Quantity Menge
118-885-10	1
118-886-08	1
118-886-11	1
118-886-13	1
118-886-15	1
118-885-21	1

Set content Set-Inhalt	Quantity Menge
118-885-22	1
118-885-23	1
118-885-25	1
118-885-26	1
118-885-27	1
118-886-99	

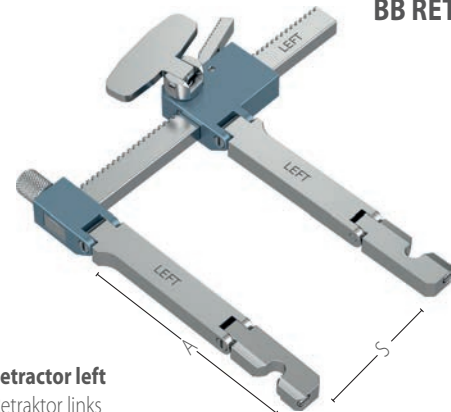
Set content Set-Inhalt	Quantity Menge
118-885-11	1
118-886-12	1
118-886-14	1
118-886-16	1
118-885-31	
118-885-32	1

Set content Set-Inhalt	Quantity Menge
118-885-33	1
118-885-35	1
118-885-36	1
118-885-37	1
118-886-99	

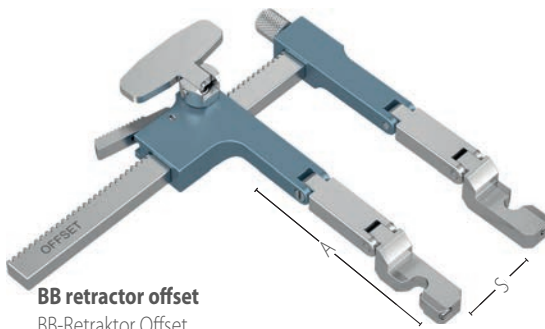

BB retractor right
 BB-Re retraktor rechts

		S	A
Stainless steel Edelstahl	118-885-02	65 mm	80 mm
Titanium Titan	118-885-03	65 mm	80 mm

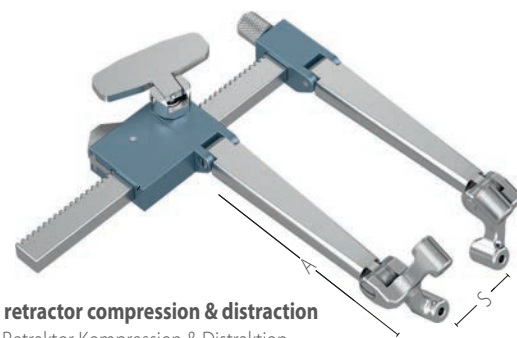
max. opening (S)
 max. Spreizweite

Arm length (A)
 Armlänge

BB retractor left
 BB-Re retraktor links

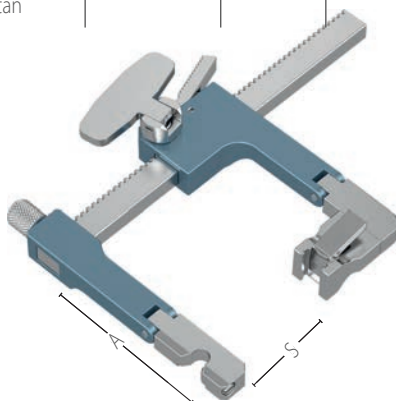
		S	A
Stainless steel Edelstahl	118-885-04	65 mm	80 mm
Titanium Titan	118-885-05	65 mm	80 mm


BB retractor offset
 BB-Re retraktor Offset

		S	A
Stainless steel Edelstahl	118-885-06	80 mm	80 mm
Titanium Titan	118-885-07	80 mm	80 mm


BB retractor compression & distraction
 BB-Re retraktor Kompression & Distraction

		S	A
Stainless steel Edelstahl	118-885-08	60 mm	60 mm
Titanium Titan	118-885-09	60 mm	60 mm

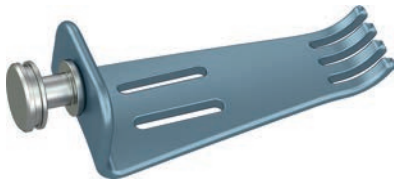

BB retractor with instrument coupling
 BB-Re retraktor mit Instrumentenkupplung

		S	A
Stainless steel Edelstahl	118-885-10	80 mm	80 mm
Titanium Titan	118-885-11	80 mm	80 mm

BB RETRACTOR SYSTEM

Blade with teeth, 22.5 mm

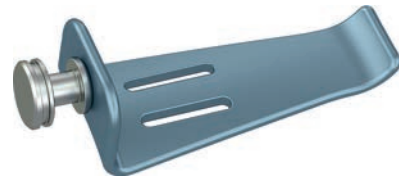
Valve gezahnt, 22,5 mm



Depth Tiefe	Stainless Steel Edelstahl	Titanium Titan	Coldlight Kaltlicht
34 mm	118-885-20	118-885-30	118-885-40
40 mm	118-885-21	118-885-31	118-885-41
45 mm	118-885-22	118-885-32	118-885-42
50 mm	118-885-23	118-885-33	118-885-43
55 mm	118-885-24	118-885-34	118-885-44
60 mm	118-885-25	118-885-35	118-885-45
70 mm	118-885-26	118-885-36	118-885-46
85 mm	118-885-27	118-885-37	118-885-47

Blade blunt, 22.5 mm

Valve stumpf, 22,5 mm



Depth Tiefe	Stainless Steel Edelstahl	Titanium Titan	Coldlight Kaltlicht
34 mm	118-885-50	118-885-60	118-885-70
40 mm	118-885-51	118-885-61	118-885-71
45 mm	118-885-52	118-885-62	118-885-72
50 mm	118-885-53	118-885-63	118-885-73
55 mm	118-885-54	118-885-64	118-885-74
60 mm	118-885-55	118-885-65	118-885-75
70 mm	118-885-56	118-885-66	118-885-76

Depth blade with teeth, 26.5 mm

Tiefen Valve gezahnt, 26,5 mm



Depth Tiefe	Stainless Steel Edelstahl	Titanium Titan	Coldlight Kaltlicht
40 mm	118-885-80	118-885-83	118-885-86
47 mm	118-885-81	118-885-84	118-885-87
55 mm	118-885-82	118-885-85	118-885-88

Depth blade blunt, 26.5 mm

Tiefen Valve stumpf, 26,5 mm



Depth Tiefe	Stainless Steel Edelstahl	Titanium Titan	Coldlight Kaltlicht
40 mm	118-885-90	118-885-93	118-885-96
47 mm	118-885-91	118-885-94	118-885-97
55 mm	118-885-92	118-885-95	118-885-98

Cold-light adapter Kaltlicht



118-885-99

sample | Beispiel

cold light | Kaltlicht

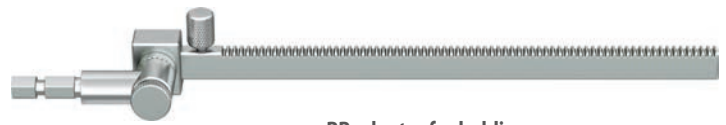


CL-Blades with cold light connector for additional illumination of the OR field.
CL-Valven mit Kaltlichtanschluss zur zusätzlichen Ausleuchtung des OP-Feldes.



Long rack with knurled screw
Lange Zahnstange mit Rändelschraube

Stainless steel Edelstahl	118-886-00
Titanium Titan	118-886-01



BB adapter for holding arm
BB-Adapter für Haltearm

Stainless steel Edelstahl	118-886-04
-------------------------------------	-------------------



BB blade handle (RS Design)
BB-Valvenhalter (RS Design)

Stainless steel Edelstahl	118-886-06
-------------------------------------	-------------------



Handle standard
Handgriff Standard

Stainless steel Edelstahl	118-886-08
-------------------------------------	-------------------



Depth gauge
Tiefenmessstab

Titanium Titan	118-886-10
--------------------------	-------------------



Spike blade
Spitze Valve

Stainless steel Edelstahl	118-886-11
Titanium Titan	118-886-12



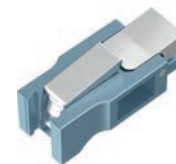
T-blade
T-Valve

Stainless steel Edelstahl	118-886-13
Titanium Titan	118-886-14



Ligament blade
Bandvalve

Stainless steel Edelstahl	118-886-15
Titanium Titan	118-886-16



Instrument attachment coupling
Instrumentenkupplung

Stainless steel Edelstahl	118-886-18
Titanium Titan	118-886-19

BB RETRACTOR SYSTEM

BB-RETRAKTOR SYSTEM



Amois International

Bashir street Ferozcolony, Head Marala Rd,
near Masjid Taiba, Muradpur, Sialkot

Mobile: +92 309 718 1216

Phone: +052 436 2008

Mail: info@amoissurgical.com
amoissurgical@gmail.com

Website: www.amoissurgical.com

CCR RETRACTOR SYSTEM

As of: April 29, 2025

Revision 1.0

© Amois International.

All rights reserved.

Subject to technical changes and errors.

All rights reserved. Technical alterations are possible.